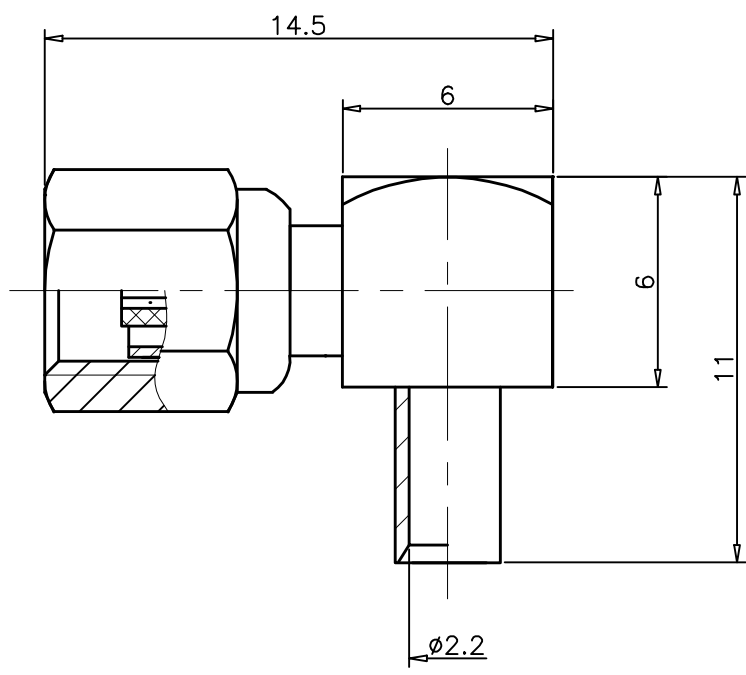


1	2	3	4
RevNo	Revision note	Date	Signature
00	Sketch Only	6/20/14	Teresa
			Checked
			Simon



Interface Per: IEC 60169-9, MIL-C-39012  
 Material & Finishing:  
 1. Center conductor: Beryllium, Gold Plating  
 2. Insulators: PTFE  
 3. Body & Coupling Nut : Brass, Gold Plating

RoHS Compliant.

ALL DIMENSIONS ARE IN MILLIMETERS AND [INCHES]

KERUI ELECTRONIC CO;LTD

Title  
 SMC female right angle  
 solder for .085 cable

THESE DRAWING & SPEC. ARE THE PROPERTY OF KERUI ELECTRONIC CO;LTD AND SHALL NOT BE REPRODUCED, OR COPIED OR USED AS THE BASIS FOR THE MANUFACTURE OR SALE OF APPARATUS OR DEVICES WITHOUT THEIR EXPRESS WRITTEN CONSENT.

UNLESS OTHERWISE NOTED ALL SURFACES FINISHED TO 64/MAX.  
 ALL TOLERANCES ARE:  
 DECIMALS FRACTIONS ANGLES  
 x ± 1.0 ±1/64 x' ± 1°  
 x.x ± 0.5 x.xx ± 0.1 x'x' ± 0.5°

Drawn by Teresa	Ckd by Simon	Appd by Richard	Date 6/20/2014
Scale 5:1	Sheet 1 of 1	24 1021 329 01	